

# Installation Note

---

## **Agilent Technologies E4406A VSA Series Transmitter Tester Zip Drive Kit (for Operating System Update)**



Part Number E4406-90158 Supersedes E4406-90114

Printed in USA July 2000

**Notice.**

The information contained in this document is subject to change without notice.

Agilent Technologies makes no warranty of any kind with regard to this material, including but not limited to, the implied warranties of merchantability and fitness for a particular purpose. Agilent Technologies shall not be liable for errors contained herein or for incidental or consequential damages in connection with the furnishing, performance, or use of this material.

© Copyright Agilent Technologies, Inc. 1999 – 2000

All Rights Reserved. Reproduction, adaptation, or translation without prior written permission is prohibited, except as allowed under the copyright laws.

1400 Fountaingrove Parkway, Santa Rosa, CA 95403-1799, USA

## Description

A zip drive is required to update the E4406A VSA Series Transmitter Tester operating system. This installation note describes how to connect and configure the iomega zip drive to use it with the E4406A. See the documentation with the Operating System Update Kit to install a new operating system, update firmware, and install new options.

### Zip Drive Kit (for Operating System Update) Contents:

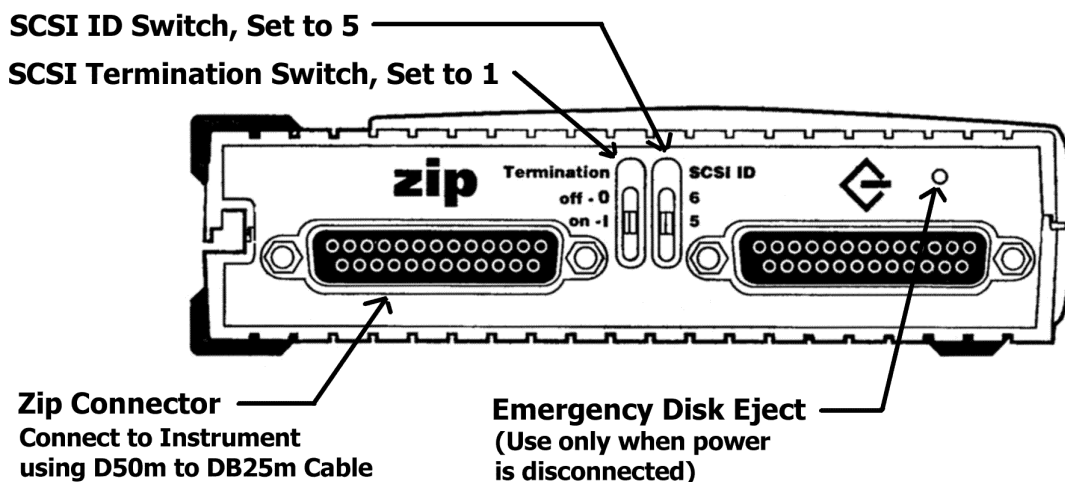
Item Number	Part Number	Description
1	N/A	250 MB external SCSI iomega zip drive
2	0950-3679	zip universal power supply
3	8121-0053	SCSI D50m to DB25m cable
4	Depends on shipment location	Power cord
5	E4406-90158	Installation Note, Agilent Technologies E4406A VSA Series Transmitter Tester Zip Drive Kit (for Operating System Update)

### Connecting the Zip Drive

**Step 1.** Set the E4406A power switch to Standby (0).

**Step 2.** Remove power from the zip drive.

**Step 3.** Set the SCSI zip drive SCSI ID (address) to “5” and Termination to “on” (1).



**Step 4.** Reconnect power to the zip drive.

**Step 5.** Connect the SCSI cable from the E4406A rear-panel SCSI connector to the “zip” connector on the zip drive. (See figure.)

This completes connecting the zip drive to the E4406A Transmitter Tester.

